

31AE983I190 983 Snowthrower (1998)
33" Snowthrower Housing Assembly

Page 2 of 13

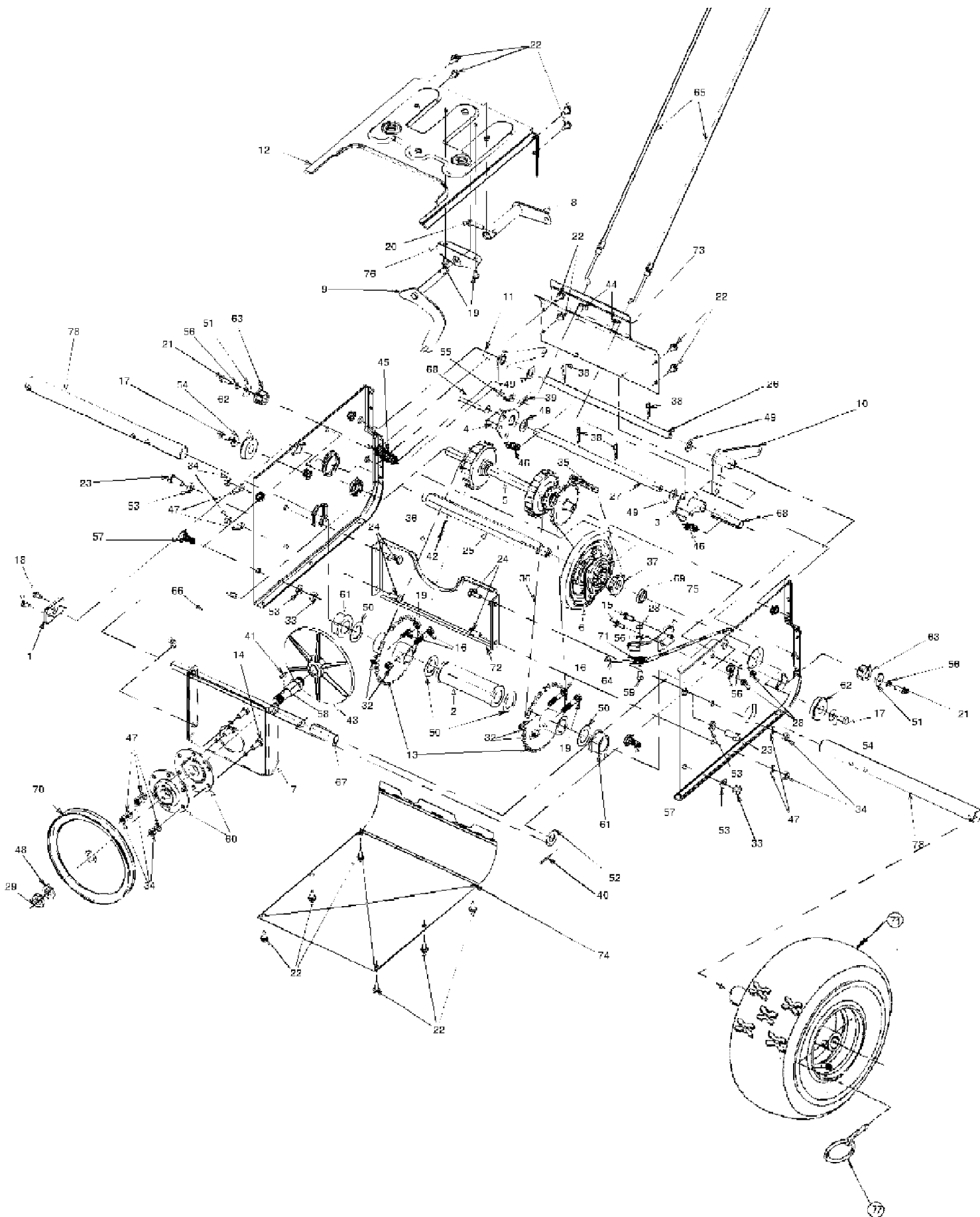
Ref #	Part Number	Qty	S/P/F	Description
1	736-0159	1	S	Flat Washer .344 ID x .875 OD
2	710-3015	1	/P	Truss. Hd. Mach. Scr. 1/4-20 x .75
4	736-0105	1	/P	Belleville washer
5		1		UNKNOWN
6	731-1318	1	S	6" Lower Chute Remote Tilt
8	784-5711	1	S	Chute Bracket
12		1		UNKNOWN
13		1		UNKNOWN
14		1		UNKNOWN
15	784-5123	1	S	Chute Bracket
16	731-1696	1	S	Chute Adapter
17	736-0242	1	/P	Bell. Washer .345 ID x .88 OD x .06
19	712-3027	1	S	Hex Cent. L-Nut 1/4-20 w/ Flange
20	731-0851A	1	/P	Chute Flange Keeper
23	710-0601	1	S	Hex Wash HD Self-Tap Scr 5/16-18 x .75
26	710-0371	1	/P	Hex Screw 5/16-18 x .75
28	756-0243	1		1/2" V-Pulley .875 ID x 10.12 OD
29	714-0126	1	S	#9 Hi-Pro Key 3/16 x 3/4 Dia HT
30	741-0185	1	S	Self-Aligning Bearing .875 ID
31	712-3010	1	S	Hex Nut 5/16-18 GD. 5
32	736-0119	1	S	L-Wash 5/16 ID
33	05244A	1	S	Bearing Housing
34	711-0640	1	S	Belt Keeper Studs 3/8-16 x 2.75
37		1		UNKNOWN
38	710-0451	1	/P	Carriage Bolt 5/16-18 x .75
45	684-0093A	1		33" Snowthrower Hsg. Ass'y
46	784-5714	1	S	Shave Plate 33"
52	710-3168	1	/P	Carriage Bolt 3/8-16 x 1.00 Gr. 5
53	710-0389	1	/P	Carriage Bolt 3/8-16 x .75" Lg.
54	784-5710	1	S	Gear Housing Support Plate 1 x 3/16
56	712-0798	1	/P	Hex Jam Nut 3/8-16
58	715-0118	1	S	Spring Spiral Pin Heavy 5/16 dia x 1.7
59	684-0090	1	S	Blower Fan Ass'y Complete
60	784-5076	1	S	Gear housing Support Bracket 1 x 3/16
61	721-0325	1		Barbed Plug
63	738-0491	1		Spiral Axle -33"
64	721-0146	1	S	Oil Seal 1.50 ID Garlock (76 x 6223)
65	719-0348	1	S	Gear Housing Half - RH
67	714-0126	1	S	#9 Hi-Pro Key 3/16 x 3/4 dia HT
68	711-1133	1		Auger Drive Shaft
69	716-0111	1	/P	Snap Ring for .875 dia. shaft
70	721-0145	1	S	Oil Seal for .875 ID (76 x 6133)
71	741-0217	1	S	Sleeve Bearing .875 ID
72	741-0184	1		Thrust Bearing .88 ID x 1.44 OD x .078
73	736-0291	1	S	Flat Washer .88 ID x 1.4 OD x .125
74	717-0299	1	S	Worm Gear LH Double Thread
75	741-0670	1		Flange Brg. 1.5 ID x 1.75 OD x .80
76	736-0266	1	S	Flat Washer 1.5 ID x 2.0 OD x .03
77	717-1425	1	S	Worm Gear LH Double Thread (Bronze)
78	738-0275	1		Worm Gear Shaft
79	714-0135	1	S	#91 Woodruff Key 1/4 x 3/4 dia
80	719-0349	1	S	Gear Housing Half LH
81	710-1260	1	S	Hex Flange Scr. 5/16-18 x .75

31AE983I190 983 Snowthrower (1998)
33" Snowthrower Housing Assembly

Page 3 of 13

Ref #	Part Number	Qty	S/P/F	Description
82	712-0429	1	S	Hex Ins. L-Nut 5/16-18
83	714-0135	1	S	#91 Woodruff Key 1/4 x 3/4 dia
84	736-0250	1	/P	Flat Washer
85	741-0494	1		Flange Bearing
?87	710-0891	1	/P	Shear Bolt 5/16-18 x 1.75
90	05845B	1	S	Housing bearing 1.5 Dbl D
91	741-0192	1		Flange Bearing w/flats
94	754-0222	1	S	V-Belt 1/2 x 44 LG
96	618-0257	1		Worm Gear Box Ass'y
98	784-5697	1		Reversible Skid Shoe
100	705-5210A	1	S	RH Spiral Ass'y Serrated - 33"
	705-5211A	1	S	LH Spiral Ass'y Serrated - 33"
101	710-0528	1	/P	Hex Scr 5/16-18 x 1.25
102	736-0271	1	S	5/16 Sprg Wash
103	736-0169	1	S	3/8 Sprg Lock Wash
104	618-0281	1	S	Brkt Ass'y Brkt
105	710-0459	1	S	Scr Hex Cap 3/8-24 x 1.5 GRD 5
106	711-0677	1	S	Adjustment Ferrule
107	712-0116	1	S	Hex Ins L-Nut 3/8-24
108	714-0104	1	S	Intern Cot-Pin 5/16 dia
109	732-0858	1		Spr Extn .470 dia x 4.75 Lg
110	736-0174	1	/P	Wave Washer .66 ID x .88 OD
111	736-0275	1	S	FI-Wash SAE .34 x .68
112	738-0281	1	S	Shld Scr .625 dia x .170 x .062
113	747-0980	1		Rod Idler Auger
114	756-0240	1		3.0 OD Flat Idler with Flanges
115	784-0385	1	S	Brkt Idlr Auger
116	741-0475	1	S	Plastic Bushing .380 ID

31AE983I190 983 Snowthrower (1998)
Axle & Aluminum Drive Plate



31AE983I190 983 Snowthrower (1998)
Axle & Aluminum Drive Plate

Page 5 of 13

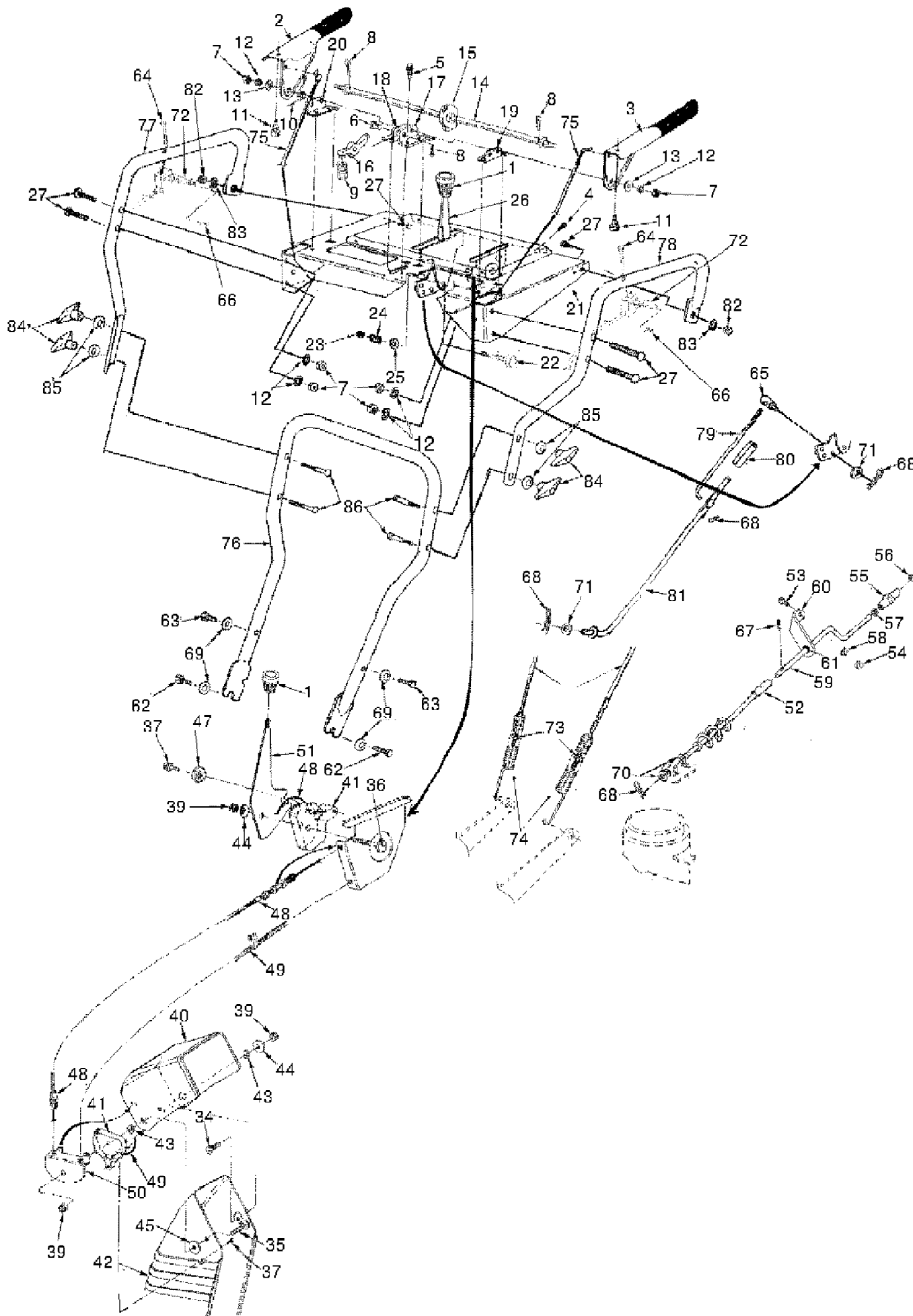
Ref #	Part Number	Qty	S/P/F	Description
1	05523	1		Pivot Axle Brkt. .63 Hole - Zinc
2	618-0278	1		Bush Asm slev
3	618-0279	1	S	Dogg Asm Dr Lh
4	618-0280	1	S	Dogg Asm Dr Rh
5	618-0282	1	S	Shf Asm Dr
6	618-0296	1	S	Whl Asm Brg 6.0 OD Friction
7	684-0115	1	S	Brkt Asm Supt Friction Dr
8	684-0116	1		Arm Asm Shift
9	684-0117	1		Shft Asm Rod
10	684-0118	1	S	Brkt Asm Actr Auger
11	684-0119	1	S	Brkt Asm Actr Dr
12	684-0120	1		Frm Asm Trans
13	684-0122	1		Spkt Asm 32t
14	710-0118	1	S	Hex Scr 5/16-18 x .75
15	710-0195	1	S	Hhcs 1/4-28 .625 Gr5 std
16	710-0380	1	S	Hex Scr 5/16-18 x 1.75
17	710-0538	1	/P	Hhcs 5/16-18 x .625 Gr5 Lock
18	710-0599	1	/P	Scr TT 1/4-20 x .5 Hxindwsh
19	710-0116	1	S	Hex Scr 5/16-18 2.00 Lg
20	710-0809	1		Scr Hexwash 1/4-20 x 1.25
21	710-0875	1		Scr Tt Cl 1/4-20 .75 Hxindwsh
22	710-0896	1	/P	Scr Ab 1/4-14 .625 Hxindwsh
23	710-3001	1	/P	Hhcs 3/8-16 x .880 Gr5 Std
24	710-3008	1	/P	Scr Cap 5/16-18 x .75 Gr 5
25	711-1191	1		Shf Dr .875 Hex
26	711-1193	1		Shf Sctr
27	711-1194	1		Shf Actr Dr
28	712-0138	1	S	Hex Nut 1/4-28
29	712-0221	1		Hex Ins Jam L-nut 5/8-18
32	712-0429	1	S	Hex Ins L-nut 5/16-18
33	712-0798	1	/P	Hex Nut 3/8-16
34	712-3010	1	S	Nut Hex 5/16-18 Gd 5
35	713-0284	1		#41 Chain 1/2 Pitch x 36 L
36	713-0286	1	/P	#420 Chain 1/2 Pitch x 40 L
37	713-0413	1		Spkt 10t #41 x .500
38	714-0101	1	S	Internal Cot-pin 1/2 Dia
39	714-0104	1	S	Intern Cot-pin 5/16 Dia
40	714-0115	1	S	Cotter Pin 1/8 Dia x 1
41	714-0388	1	S	#61 Hi-pro-key 3/16 x 5/8
42	715-0249	1	S	Spring Pin Roll 5/32
43	717-0302	1	S	Aluminum Drive Plate
44	726-0345	1		Plug 5/8 Snap-in
45	732-0121	1	S	Idler Extension Spring
46	732-0209	1	S	Extension Spring
47	736-0119	1	S	Lock Washer 5/16
48	736-0158	1	S	Lock Washer 5/8
49	736-0160	1	S	Wash Flt .531 ID x .930 OD x .05
50	736-0163	1	S	Wash Flt 1.03 ID x 1.62 OD
51	736-0176	1	S	Wash Flt 1/4 ID x .930 OD x .12
52	736-0187	1	/P	Wash Flt .640 ID x 1.24 OD x .06
53	736-0217	1	S	Lock Washer 3/8 Heavy
54	736-0242	1	/P	Bell Wash .345 ID x .88 OD
55	736-0275	1	S	Fl-wash Sae .34 x .68 .062

31AE983I190 983 Snowthrower (1998)
Axle & Aluminum Drive Plate

Page 6 of 13

Ref #	Part Number	Qty	S/P/F	Description
56	736-0329	1	S	Lock Washer 1/4
57	738-0143	1	/P	Shld Scr .498 Dia x .340
58	738-0279	1		Drive Plate Spindle
59	738-0924	1	S	Scr Shldr .340 D. 1/4 Ab
60	741-0163A	1	/P	Asm Brg Hsg
61	741-0192	1		Flange Brg Pm W/flts 1.0
62	741-0563	1	S	Ball Bearing W/snap Ring
63	741-0597	1	S	Brg Hex Flange x .564 ID
64	746-0951	1	S	Cb Idlr Auger
65	746-0949	1	S	Cbl Strg
66	747-0973	1		Rod Clu Dr
67	750-1097	1		Spcr Splt .64 x .77 x 2.1
68	750-0903	1	S	Split Spacer 1/2 x 5/8 x 2.44
69	750-0997	1	S	Spcr .675 ID x 1.00 OD x .23
70	756-0344	1	/P	1/2 V-pulley .62 ID x 7.5
71	756-0625	1		Cable Guide Roller
72	784-0377	1	S	Brkt Supt Frm
73	784-0379	1		Cvr Frm Up
74	784-0380	1		Cvr Frm Lwr
75	784-0384	1	S	Brkt Gde Auger Cbl
76	784-5590	1		Shift Bracket Frame
77	714-0151A	1	/P	Klik Pin Assy Danuse
78	738-0975	1		Axle 1.0 OD x 14.1 Lg
79	734-1593	1		Cmp Whl Assy 16 x 6.5 Snohog

31AE983I190 983 Snowthrower (1998)
Chute Crank Assembly & Lower Housing



31AE983I190 983 Snowthrower (1998)
Chute Crank Assembly & Lower Housing

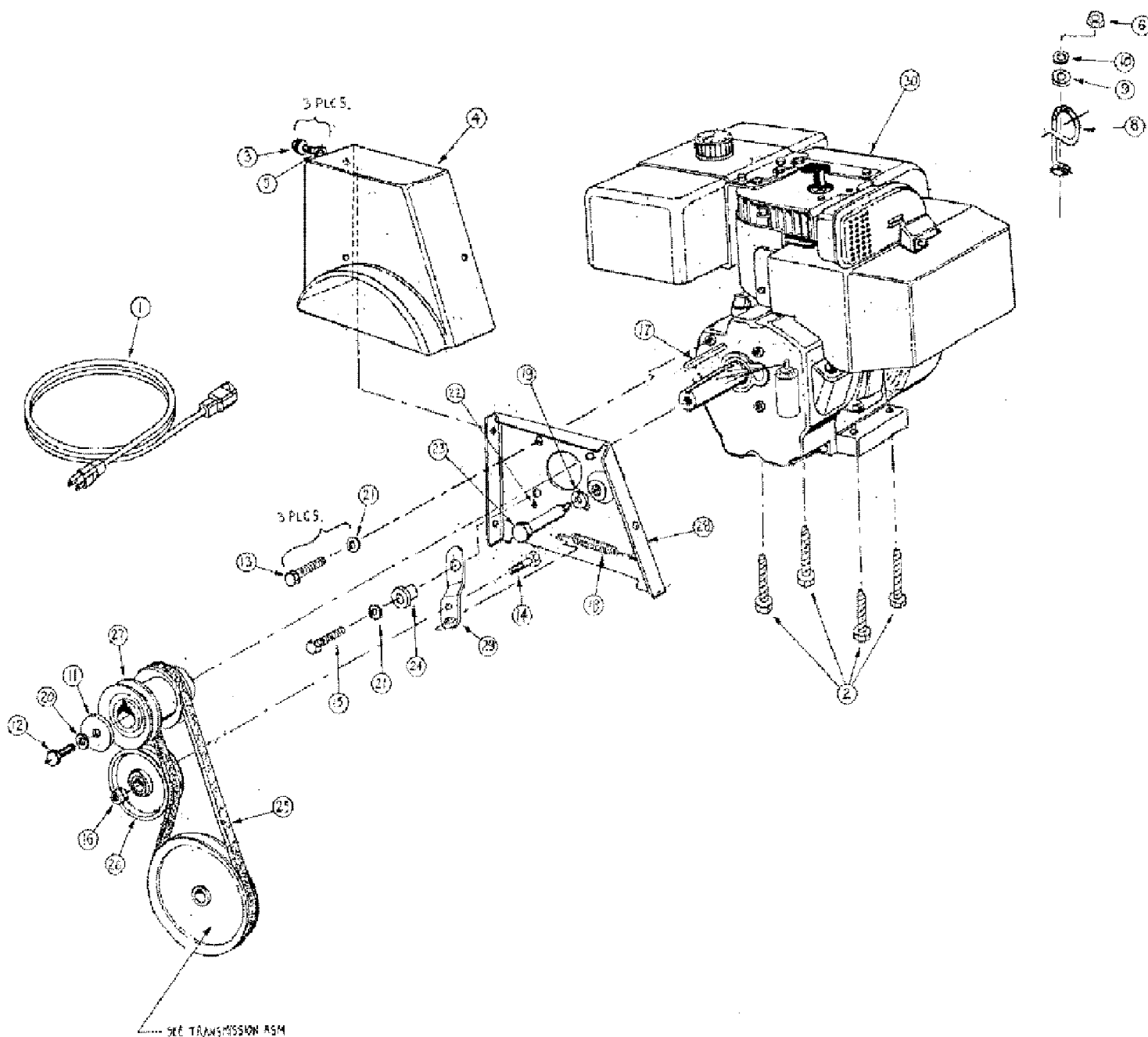
Page 8 of 13

Ref #	Part Number	Qty	S/P/F	Description
1	720-0232	1	S	Sml Shift Knob 1.6 Dia Sentar
2	705-5218	1		Engage Handle Le Blk Dip Rh
3	705-5219	1		Engage Handle Lf Blk Dip Lh
4	710-0351	1	/P	Pan Head B-tapp Scr #10 x .5
5	710-0599	1	/P	Hwhd Sf-tap Scr 1/4-20 x 1/2 Zn
6	711-0653	1	/P	Clevis Pin .31 Dia x 1.0
7	712-3010	1	S	Nut Hex 5/16-18 Gd 5
8	714-0111	1	S	Cot-pin 3/32 Dia x 1.0
9	732-0145	1	/P	Comp Spring .36 Dia x 1.0 Lg
10	732-0746	1		Spring Torsion .44 ID
11	735-0199A	1	S	Rubber Bumper .63 Dia
12	736-0119	1	S	Lock Washer 5/16
13	736-0509	1		Wsher Spcl. .345 Sq. x .72 OD
14	747-0877	1		Cam Rod
15	748-0362	1		Clutch Lock Cam
16	748-0363	1	S	Clutch Lock Pawl
17	784-5679	1	S	Supt Brkt 5/8 Lh
18	784-5680	1	S	Supt Brkt 5/8 Rh
19	784-5681	1	/P	Supt Brkt 3/8 Lh
20	784-5682	1	S	Supt Brkt 3/8 Rh
21	684-0102	1		Pnl Asm Hndl W/tilt
22	710-0459	1	S	Scr Hex Cap 3/8-24 x 1.5 Gd 5
23	712-0116	1	S	Hex Ins L-nut 3/8-24
24	732-0193	1	/P	Compression Spring .39 ID x .88
25	736-0105	1	/P	Bell Wash .40 ID x .88 OD x .06
26	784-5619A	1	S	Shift Handle
27	710-0458	1	/P	Carriage Bolt 5/16-18 x 1.75
34	710-0276	1	/P	Carriage Bolt 5/16-18 x 1.00
35	710-0458	1	/P	Carriage Bolt 5/16-18 x 1.75
36	710-0442	1	S	Hex Scr 5/16-18 x 1.5
37	710-0896	1	/P	HWHD B Tapp Scr 1/4 x 5/8 Zn
39	712-0429	1	S	Hex Ins L-nut 5/16-18
40	731-0849	1	S	6" Upper Chute Remote Tilt
41	731-1313B	1	S	Chute Tilt Cable Guide
42	731-1318	1	S	6" Lower Chute Remote Tilt
43	731-1319	1	S	Chute Pivot Spacer
44	736-0159	1	S	Fl-wash .344 ID x .88 OD x .063
45	736-0231	1	S	Flt Wshr .344 x 1.125 x .125
47	736-0506	1	S	Contoured Washer
48	746-0902	1	S	Chute Control Cable 66"
49	746-0903	1	S	Chute Control Cable 66" W/clip
50	784-5594	1		Cable Bracket Chute Tilt
51	784-5604	1	S	Chute Tilt Handle
52	684-0053A	1	S	Chute Crank Assy Plated
53	710-3015	1	/P	Hex Scr 1/4-20 x .75 Lg Gd5
54	712-0287	1	S	Hex Nut 1/4-20
55	720-0201A	1	/P	Chute Crank Knob Countersink
56	726-0102	1	S	Push Cap 3/8 Palnut #375011
57	736-0117	1	S	Flat Washer .38 ID x .60 OD x .033
58	736-0270	1	/P	Bell Wash .26 ID x .75 OD x .06T
59	747-0624	1	S	Crank Chute Plated
60	705-5266	1	S	Brkt Chute Crank
61	741-0475	1	S	Plastic Bushing .380 ID

31AE983I190 983 Snowthrower (1998)
Chute Crank Assembly & Lower Housing

Page 9 of 13

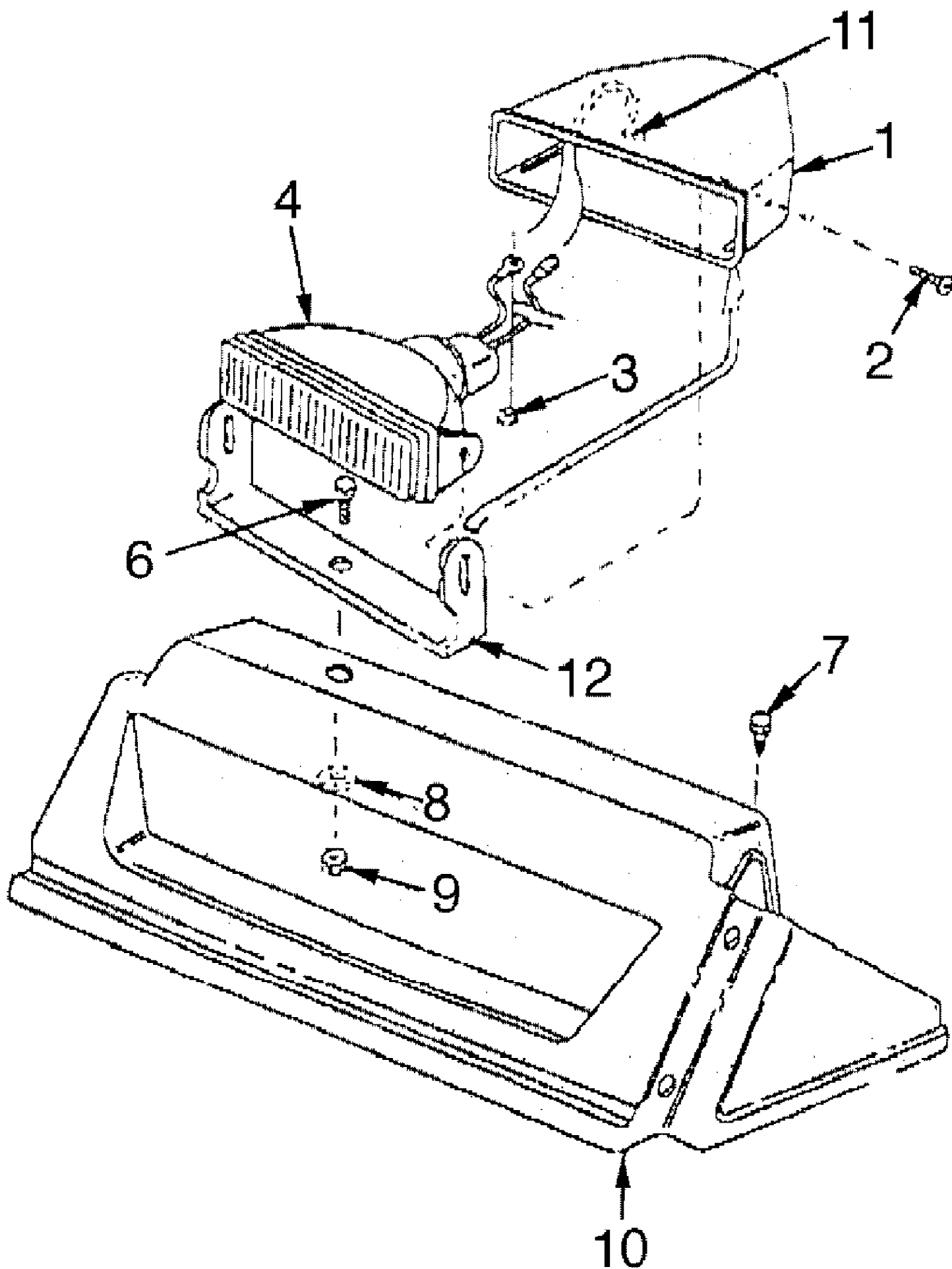
Ref #	Part Number	Qty	S/P/F	Description
62	710-0216	1	/P	Hex Scr 3/8-16 x .75
63	710-0347	1	/P	Hex Scr 3/8-16 x 1.75
64	710-1625	1		Scr Oval C/sunk #10-24 x 1.75
65	711-0677	1	S	Adjustment Ferrule
66	712-0127	1	/P	#10-24 Flat Weld Nut
67	714-0101	1	S	Internal Cot-pin 1/2 Dia
68	714-0104	1	S	Inter Cot-pin 5/16 Dia
69	736-0105	1	/P	Bell Wash .4 ID x .88 OD x .06
70	736-0185	1	S	Fl-wash .406 ID x .74 OD x .063
71	736-0275	1	S	Fl-wash Sae .34 x .68 x .062
72	746-0950	1	S	Trigger Ass'y Steer
73	712-0324	1	/P	Hex Ins L-nut 1/4-20
74	732-0184	1	/P	Extension Spring
75	746-0952	1		Cable Clutch Drive
76	749-0991	1		Handle Lower
77	749-0990A	1		Handle Upper Rh
78	749-0989A	1		Handle Upper Lh
79	747-0997	1		Upper Shift Rod 5/16 x 10.57
80	750-0963	1	S	2 Pc Shift Rod Connector
81	747-0983	1	S	Lower Shift Rod 3/8 x 14.75
82	712-0287	1	S	Hex Nut 1/4 - 20
83	736-0270	1	/P	Bell Wash .26 ID x .75 OD x .06T
84	720-0284	1	S	Wingnut
85	736-0242	1	/P	Bell Wash .345 ID x .88 OD x .060
86	710-0572	1	/P	Carriage Bolt 5/16 -18 x 2.5



31AE983I190 983 Snowthrower (1998)
Engine Pulley & Cable Control Wire

Page 11 of 13

Ref #	Part Number	Qty	S/P/F	Description
1	629-0071	1	S	Extension Cord 10 Ft.
2	710-0502A	1	/P	Hex L-wash Tt Scr 3/8-16 x 1.25
3	710-0607	1	/P	Hwhd 5/16-18 x 1/2 Thd Roll Zn
4	731-0321-1	1		Belt Cover - Pierced
5	736-0264	1	S	Fl-wash .344 ID x .625 OD x .063
6	712-3006	1	/P	Nut 1/4-20 GR B Hex
8	732-0705	1		Cable Control Wire
9	736-0173	1	/P	Fl-Wash .28 ID x .74 OD x .063
10	736-0329	1	S	Lock Washer 1/4
11	07386	1		Wash .39 ID x 1.75 OD x .175 T
12	710-0191	1	/P	Scr Hex Cap 3/8-24 x 1. Gd 8
13	710-0237	1	/P	Scr Hex Cap 5/16-24 x .62 Gd 5
14	710-0459	1	S	Scr Hex Cap 3/8-24 x 1.5 Gd 5
15	710-1245	1	/P	Hhcs 5/16-24 x 7/8 Gr 5
16	712-0116	1	S	Hex Ins L-nut 3/8 - 24
17	714-0118	1	/P	Square Key 1/4 x 1.5
18	732-0303	1	S	Extension Spring .38 OD x 3.18 L
19	736-0169	1	S	L-wash 3/8
20	736-0217	1	S	Lock Washer 3/8 Heavy
21	736-0242	1	/P	Bell Wash .345 ID x .88 OD x .060
22	737-0157	1		Grease - Sunaplex 781 - 1/10
23	738-0215A	1	/P	Shoulder Scr .498 Dia x 3.0 Lg
24	748-0234	1	/P	Shldr SPCR .50 Dia x .14 Shldr
25	754-0131	1	S	3v Belt 35.5 Lg
26	756-0240	1		3.0 OD Flat Idler With Flange
27	756-0241B	1	/P	Dbl Engine Pulley 3.25 & 2.75
28	684-0123	1	S	Brkt Asm Cvr Belt 12 HP
29	784-5726	1		Brkt Idlr Dr
30		1		Engine



31AE983I190 983 Snowthrower (1998)
Halogen Lamp Housing

Page 13 of 13

Ref #	Part Number	Qty	S/P/F	Description
1	731-1364	1		Halogen Lamp Housing
2	710-1240	1		Phillips Pan Head Screw M 4 x 16
3	712-0271	1	/P	Hex Sems Nut 1/4-20
4	725-1669	1	S	Lamp/Lens Housing Ass'y
	629-0059	1	S	Halogen Light Wire Harness
	725-1658	1	S	#890 Halogen Bulb
6	710-0451	1	/P	Carriage Bolt 5/16-18 x .75
7	710-0351	1	/P	Pan Head B-Tapp Screw #10
8	736-0159	1	S	FI-Wash .344 ID x .88 OD
9	712-0429	1	S	Hex Ins L-Nut 5/16-18
10	731-0061	1		Handle Panel
11	735-0225	1		Grommet .38 ID x .50 OD x 12
12	705-5217	1		Lamp Mounting Bracket